

Pallet Racking



The Strength of Simplicity



INNOVATION

One of the pillars that supports Esnova identifying values is the constant innovation. Innovating in order to improve is one of our targets, whether in new products or optimizing the current ones.

TECHNOLOGY

Esnova has invested in the most flexible and advanced production systems providing itself with necessary capacities for designing and manufacturing competitive metallic items, components and products in order to fulfill customers expectations.



Robotic Welding

FLEXIBILITY

Due to its technological potential, Esnova provides its production processes with a huge flexibility, making possible the new paradigm of Agile Manufacturing.

Quality

Quality as a priority standard is established in each and every process Esnova develops. The group invests in quality and safety and also promotes environmental respect. Certifications it holds are a sample of this:

- Quality Management System Certificate (ISO 9001).
- Environmental Management System (ISO 14001).
- Occupational Health and Safety Management (OHSAS 18001).
- Norm UNE EN 1090 CE-Marking.



Our high quality surface treatments guarantee a better product preservation.

Product finishings:

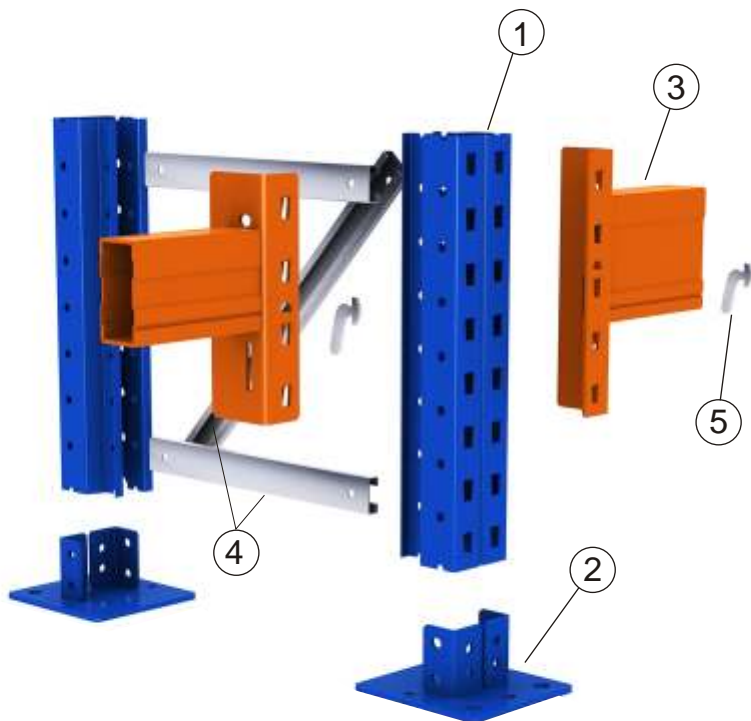
- ▶Epoxy polyester paint.
- ▶Galvanized.
- ▶Hot deep galvanized (HDG).

Epoxy-polyester Painting Line



We take care of our products packaging protecting them from possible friction and impact both in transport as well as in handling.

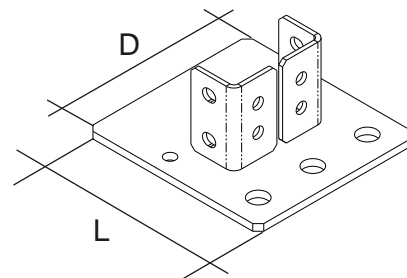
Pallet Racking System



① Upright



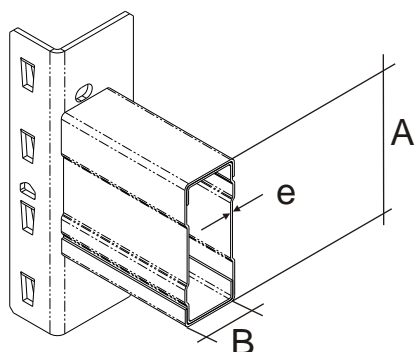
② Base (mm.)



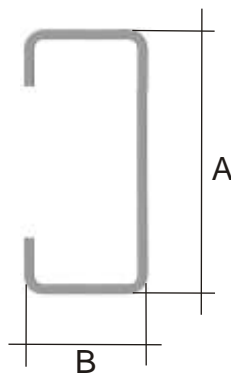
③ EGN Beam



Connector EC5



④ Horizontal-Diagonal CZ



Description	Dimensions* (A x B)
CZ 36	36 x 13,6
CZ 42	42 x 25
CZ 50	50 x 32

*Dimensions in mm.

⑤ Safety Clip

Finish Pregalvanized





Description	Dimensions* (A x B x e)	Length
EGN 75x40x1,5	75 x 40 x 1,5	950-1350-1825-2250-2700
EGN 80x40x1,5	80 x 40 x 1,5	950-1350-1825-2250-2700
EGN 85x40x1,5	85 x 40 x 1,5	950-1350-1825-2250-2700
EGN 100x40x1,5	100 x 40 x 1,5	1825-2250-2700
EGN 100x50x1,5	100 x 50 x 1,5	1825-2250-2700-3300
EGN 116x40x1,5	116 x 40 x 1,5	2250-2700-3300
EGN 120x40x1,5	120 x 40 x 1,5	2250-2700-3300
EGN 120x50x1,5	120 x 50 x 1,5	2700-3600
EGN 135x40x1,5	135 x 40 x 1,5	2250-2700-3300-3600-3900
EGN 135x50x1,5	135 x 50 x 1,5	2700-3300-3600-3900
EGN 140x50x1,5	140 x 50 x 1,5	2700-3600-3900
EGN 140x50x2,0	140 x 50 x 2,0	3300-3600-3900
EGN 150x50x2,0	150 x 50 x 2,0	3300-3900
EGN 150x50x2,0	155 x 50 x 2,0	3300-3600-3900

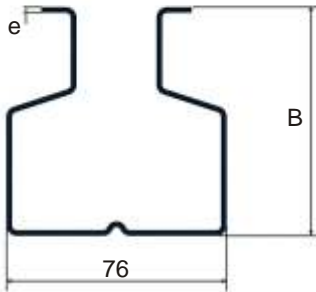
*Dimensions in mm.



Standard Finishing	Orange 2004
Other Finishings	Hot-dip galvanized
	Yellow 1007
	Other colours (Consult)

*Dimensions in mm.

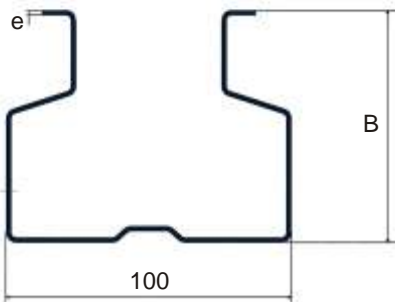
Uprights 76M & 76A



Description	Dimensions* (76 x B x e)	Frame profile	Base
ER76M15	76 x 63 x 1,5	CZ 36	RK6/76/A
ER76M18	76 x 63 x 1,8		
ER76M23	76 x 63 x 2,3		
ER76A15	76 x 79 x 1,5		
ER76A18	76 x 79 x 1,8		
ER76A20	76 x 79 x 2,0		
ER76A23	76 x 79 x 2,3		
ER76A25	76 x 79 x 2,5		

Option in galvanized finishing

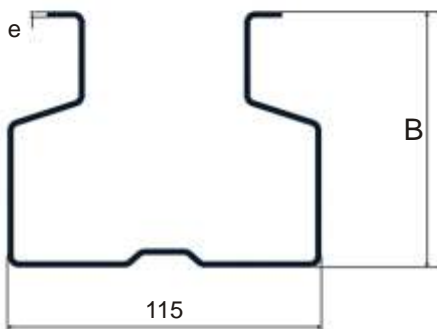
Uprights 100A & 100B



Description	Dimensions* (100 x B x e)	Frame profile	Base	
ER100A18	100 x 81 x 1,8	CZ 42	RK6/100/A	
ER100A20	100 x 81 x 2,0			
ER100A23	100 x 81 x 2,3			
ER100A25	100 x 81 x 2,5		RK6/100/B	
ER100B18	100 x 105 x 1,8			
ER100B20	100 x 105 x 2,0			
ER100B23	100 x 105 x 2,3			
ER100B25	100 x 105 x 2,5			
ER100B25	100 x 105 x 2,5			RK8/100/C
ER100B30	100 x 105 x 3,0			

Option in galvanized finishing

Uprights 115B & 115C



Description	Dimensions* (115 x B x e)	Frame profile	Base
ER115B18	115 x 98 x 1,8	CZ 50	RK8/115/A
ER115B20	115 x 98 x 2,0		
ER115B23	115 x 98 x 2,3		
ER115B25	115 x 98 x 2,5		
ER115C20	115 x 126 x 2,0		
ER115C25	115 x 126 x 2,5		
ER115C30	115 x 126 x 3,0		
ER115C35	115 x 126 x 3,5		

Option in galvanized finishing

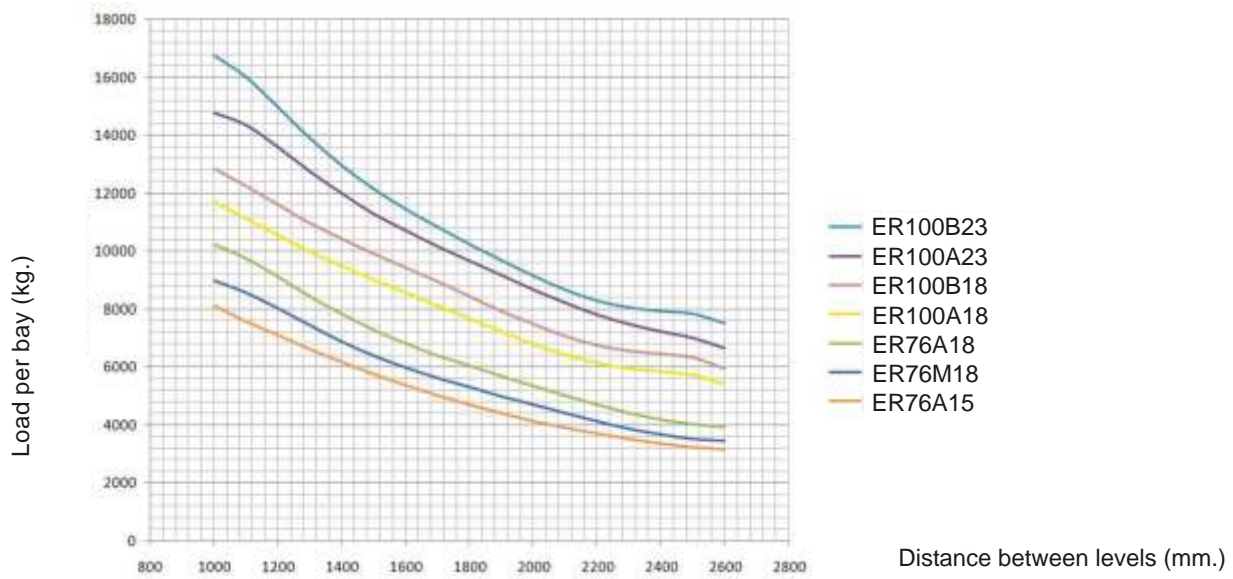
Frame Depth (mm.) 800* - 900 - 1000 - 1100*

Standard Finishing Blue 5019

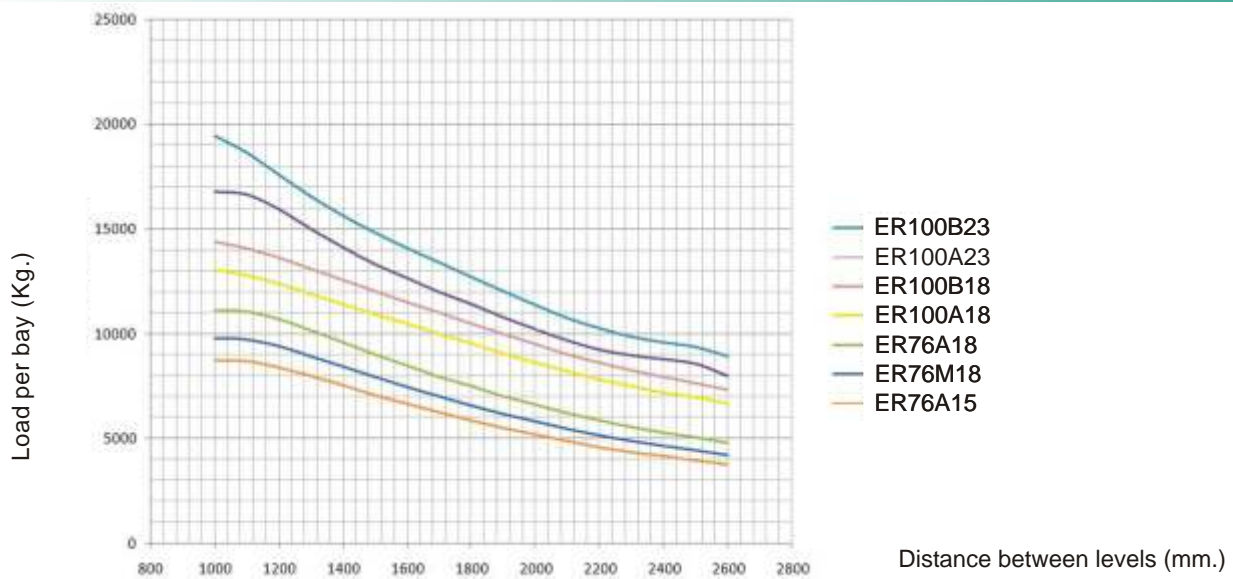
*Standard Depth.
Diagonals and horizontals finishing: Pregalvanized.

Galvanized finishing	Thickness
	1,5 - 2,0 - 2,5 - 3,0

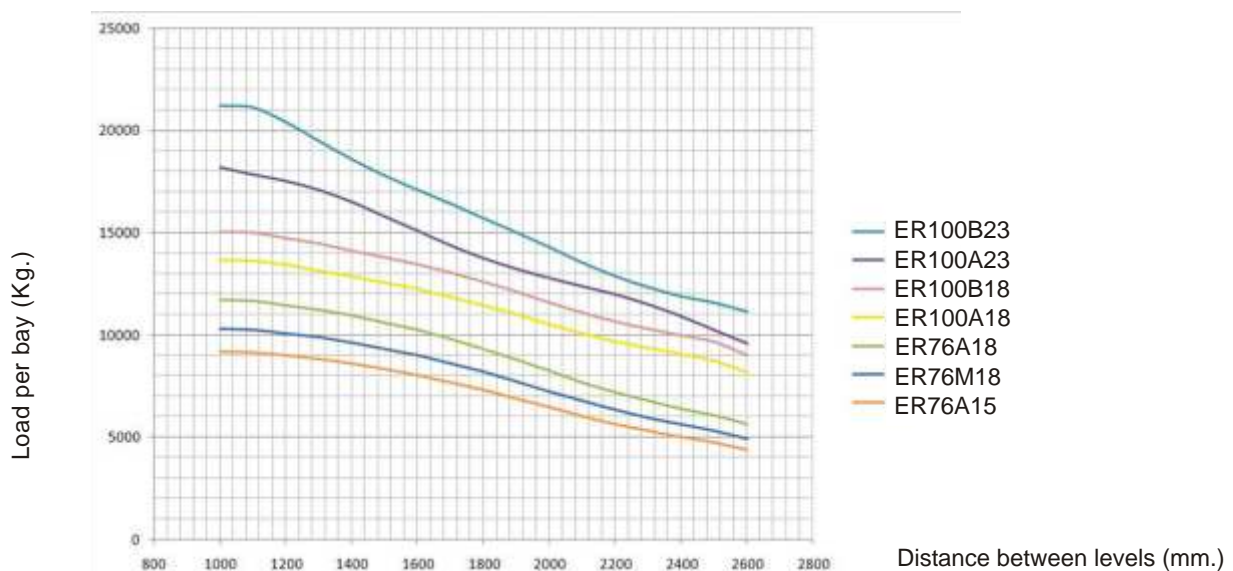
Loads with beams section from 75mm to 80 X 40mm.



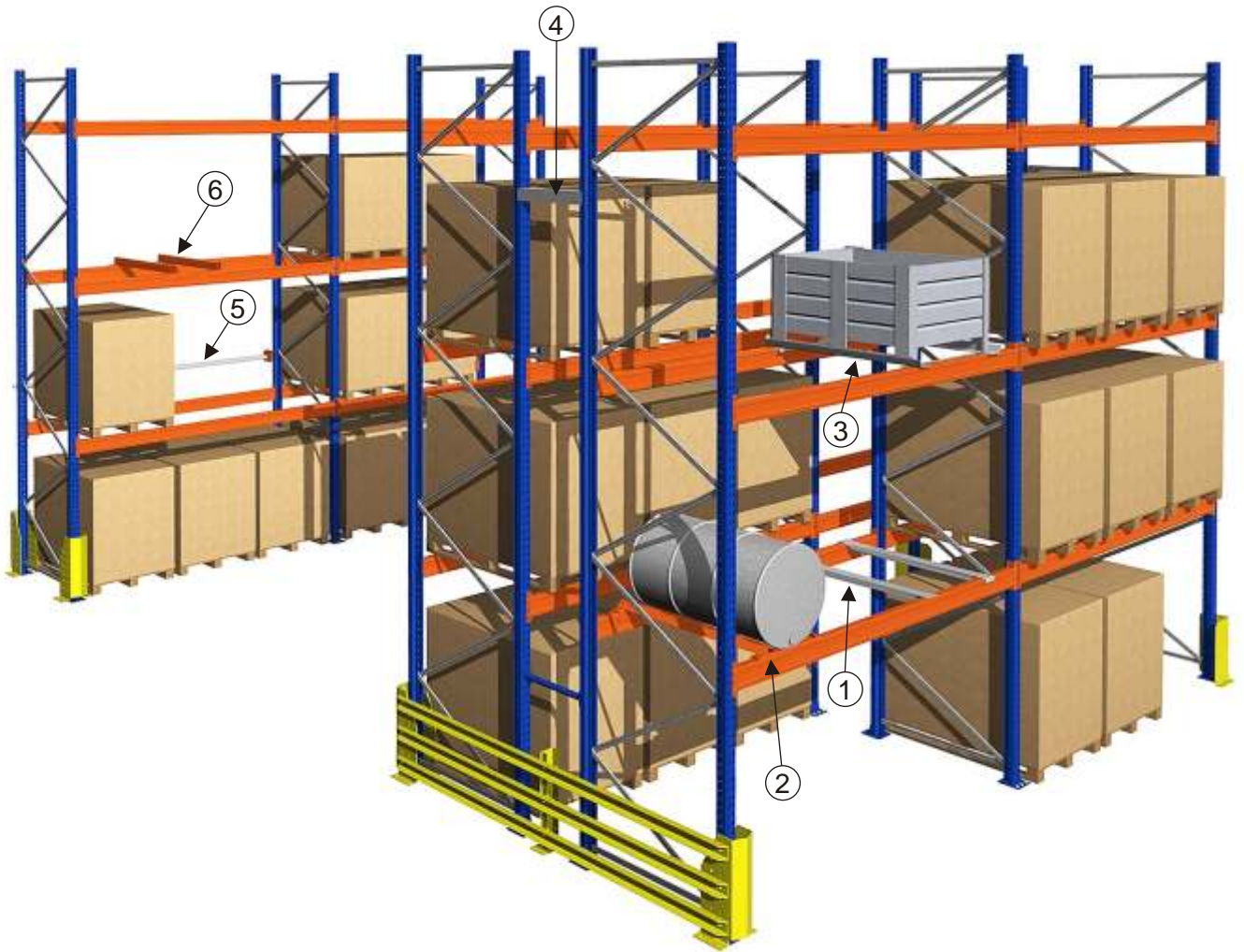
Loads with beams section from 85 X 40mm to 100 x 40mm.



Loads with beams section bigger than 100 X 40mm.



Accessories



① Cross Members

Mod: TPCZF



Mod: TPCZ

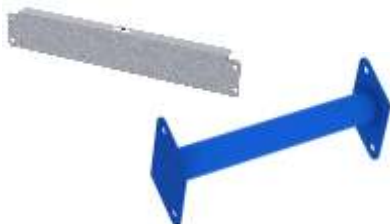
② Drum Cradles SB



③ Container Support Sc1



④ Frame Spacers



⑤ Back Stop LTC



⑥ Elevated Tube Cross Member



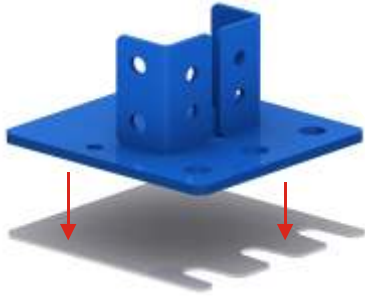
Aisle Spacer



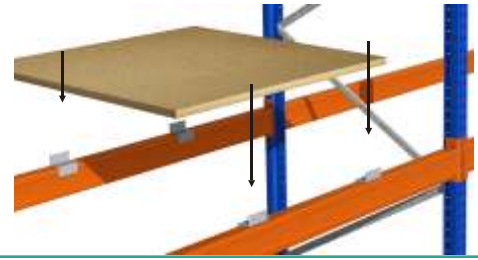
Coil Bearing Rack Connector



Shim Plates



Z-Profile
To fix chipboards on beams.



Chipboards Stop
To be used with Crossmembers type TPCZF.



Shelf Grating (between supports)



Shelf Grating (over supports)



Steel Pannels (Pregalvanized)



Frame Splice



Vertical Bracings



Horizontal Bracings



Protections

Single Protection RK



Corner Protection DE



Double Frame Protectors DIUD



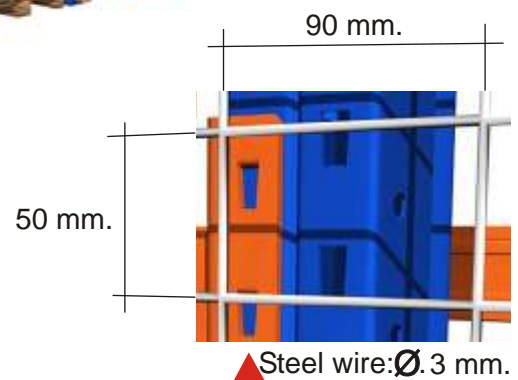
Protection ECO



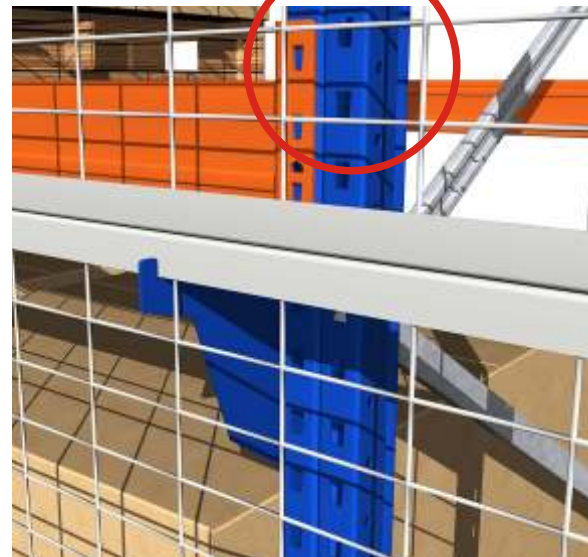
Timber frame protector



Anti-Collapsing Mesh



Electrowelded mesh panels are used as security closings in aisle or transit areas to avoid goods from falling.





SLOTTED ANGLE
SHELVING



BOLTLESS SHELVING
SYSTEM



WIDE SPAN
SHELVING M66



DRIVE IN



CANTILEVER



AUTOMATIC WAREHOUSES
RACK CLAD BUILDING



DEFENSES & PROTECTIONS



MODULAR GUARDS



METALLIC CONTAINERS

Esnova

C/ Ataúlfo Frieria "Tarte", Nº 5
 Pol. Ind. Los Campones, Tremañes
 33211 - Gijón (Principado de Asturias - Spain)
 Ph: (+34) 985 308 980 - Fax: (+34) 985 308 981
 E- mail: comercial@ideasenmetal.com
 Web: www.esnova.es
 GPS: Longitud: 5°42'6.44"O - Latitud: 43°31'42.75"N



Esnova,
 Member of European
 Federation of Materials
 Handling (FEM).



- Esnova is certified on the norm UNE EN 1090 CE-Marking
- Esnova is certified for the Quality Management System (ISO 9001)
- Esnova is certified for the Environmental Management System (ISO 14001)
- Esnova is certified for the Occupational Health and Safety Management (OHSAS 18001)